

Database Hardware Selection Guidelines

BRUCE MOMJIAN



Database servers have hardware requirements different from other infrastructure software, specifically unique demands on I/O and memory. This presentation covers these differences and various I/O options and their benefits.

<https://momjian.us/presentations>



Creative Commons Attribution License

Last updated: October 2023

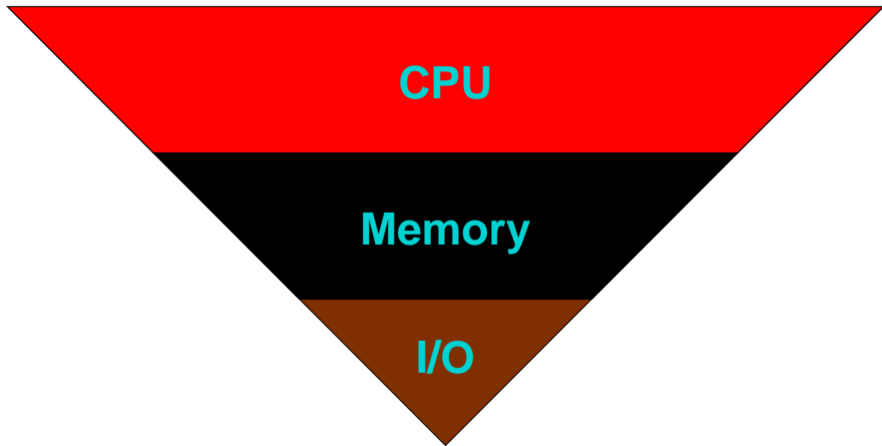
Outline

- CPU
- Multi-threading
- GHz
- Pipelining
- SMP
- NUMA

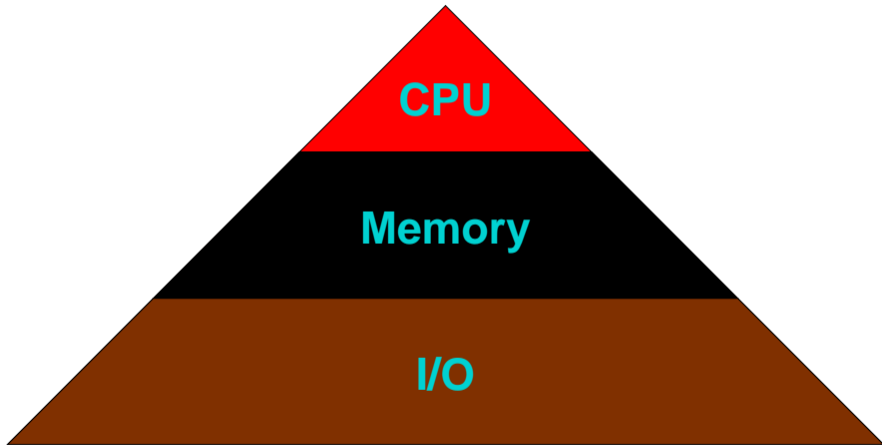
Nope!

- ~~CPU~~
- ~~Multi-threading~~
- ~~GHz~~
- ~~Pipelining~~
- ~~SMP~~
- ~~NUMA~~

Normal Server Priorities



Database Server Priorities



Why the Difference?

Traditional servers are often CPU constrained because of:

- Network overhead (http)
- Text processing (email)
- Virtual machines (application servers)
- Application code

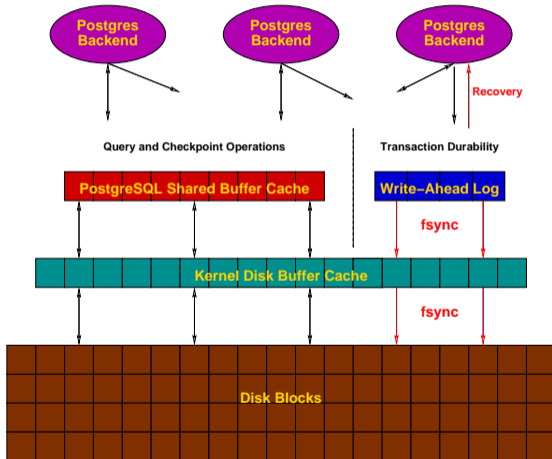
Database Server's Unique Requirements

- Sequential scans of large tables
- Index scans causing random I/O
- Unpredictable query requirements
- Reporting

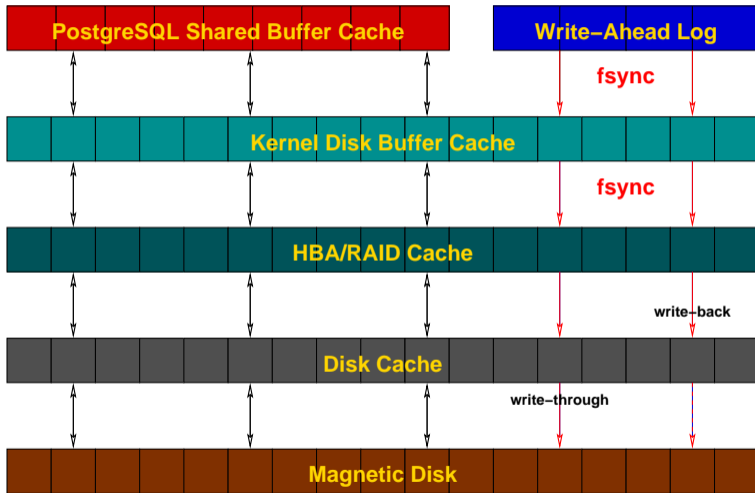
These do not require major CPU resources.

Durability Adds Even More I/O Requirements

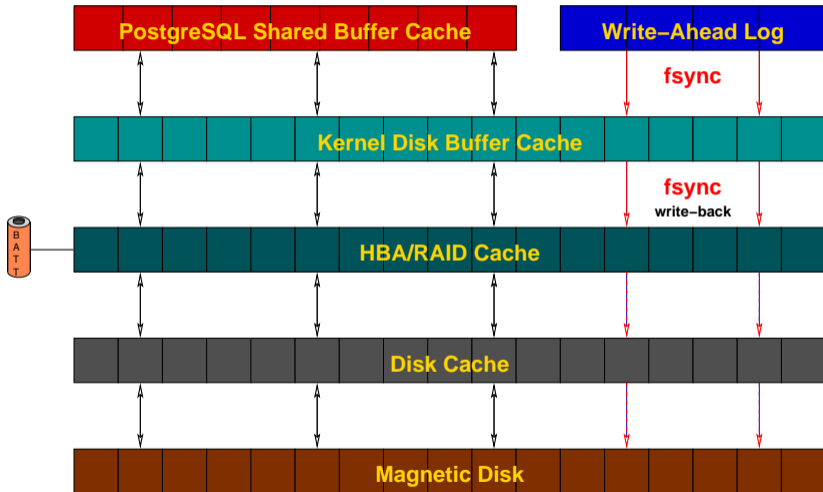
ACID (D = durability) requires committed transactions to be stored permanently. Few other server facilities must honor this requirement.



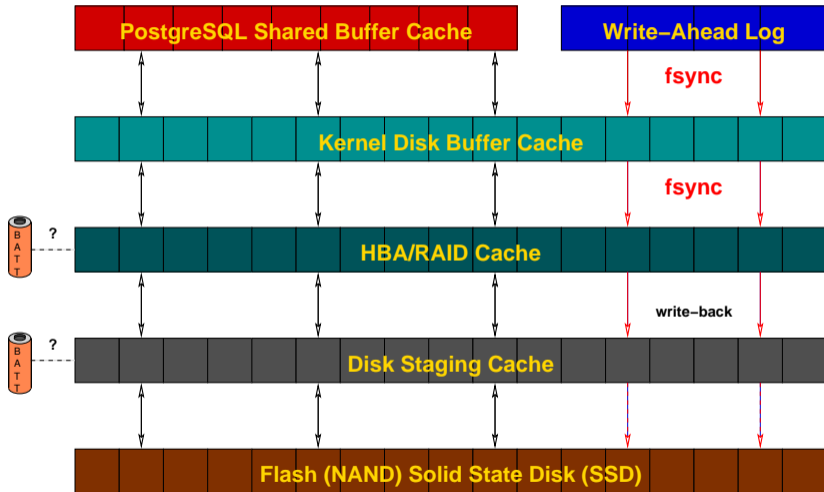
Magnetic Disk I/O Stack



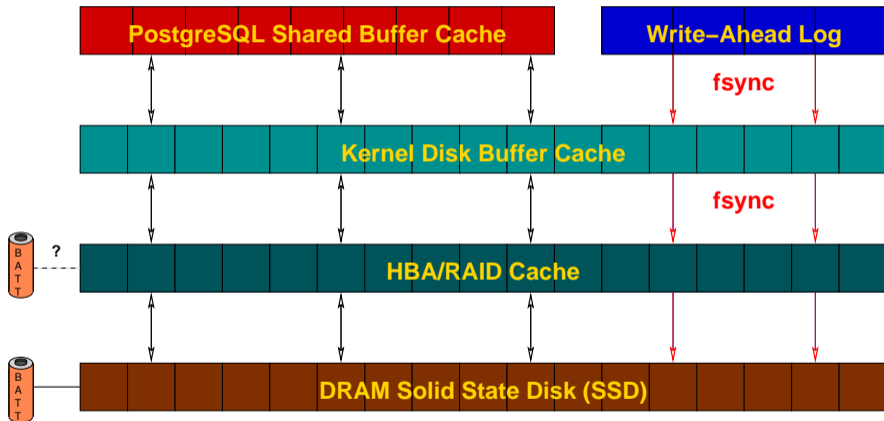
Magnetic Disk I/O Stack With BBU



Flash (NAND) Storage I/O Stack



DRAM Storage I/O Stack



Write-Back vs. Write-Through Caching

- Write-back caching returns write success before passing data to lower storage layers
- Write-through caching waits for write acknowledgement from lower storage layers before returning success

Caching Layers

- HBA/RAID cache behavior is usually controlled by the HBA/RAID firmware, often conditionally based on the health of the BBU
- Storage drive cache behavior can be set by utility commands or by using certain operating system calls
- Enterprise/SAS storage devices usually default to write-through, while consumer/SATA devices usually default to write-back

HBA/RAID Caching

- HBA/RAID controllers often set storage drive caching mode to write-through
- With an HBA/RAID non-volatile cache, there is little advantage to using write-back mode on storage drives

Durable Cache: Battery and Supercapacitor-Backed Units

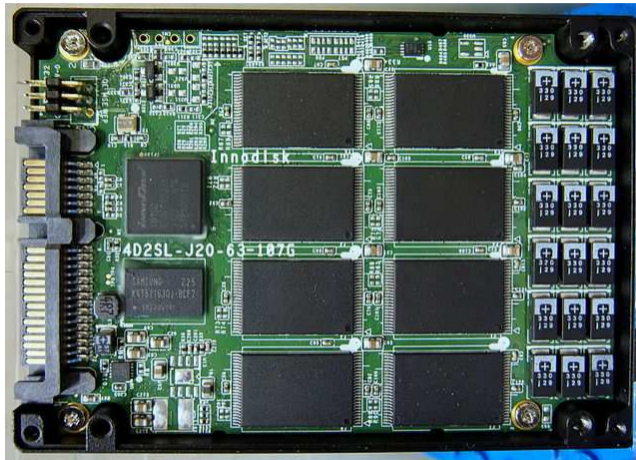
- Verify battery or supercapacitor (supercap) existence visually
- Most write the cache to local flash memory on power failure
- Battery-backed units (BBU)
 - Detected battery failure can disable write-back cache mode
 - Requires failure monitoring and replacement
- Look for a feature called “power loss protection”

Battery-Backed Unit on RAID Controller



<https://www.flickr.com/photos/jemimus/>

Supercapacitor-Backed Unit on SSD



Also called “power loss protection”

<https://www.kingston.com/en/blog/servers-and-data-centers/ssd-power-loss-protection>

https://commons.wikimedia.org/wiki/File:Embedded_World_2014_SSD.jpg

Magnetic Disk Selection

- More small spindles is better than fewer large spindles
- RAID 5/6 is too slow for database writes
- RAID 10 is popular
- Make sure SMART reporting is fully supported
- SAS/SCSI disks are usually designed for enterprise workloads, unlike SATA/ATA
 - reliability
 - error reporting
 - 24-hour operation
 - heat
 - vibration
 - <http://www.intel.com/support/motherboards/server/sb/CS-031831.htm>

SSD Selection

- Flash (NAND) vs. DRAM: <https://appuals.com/ssd-buying-guide/>
- SATA vs. SAS vs. NVMe: <https://www.aspsys.com/solutions/storage-solutions/flash-storage-nvme/>, <https://www.kingston.com/en/community/articledetail/articleid/48543>
- NVMe with/without DRAM: <https://itigic.com/host-memory-buffer-in-nvme-ssds-how-does-it-work/>
- Write staging area — it is not just cache
- Running a flash (NAND) SSD in write-through mode can reduce its usable life because of increased write cycles
- Look for power-loss protection: https://momjian.us/main/blogs/pgblog/2023.html#October_23_2023

Configuring Postgres for SSDs

- Best for WAL and random I/O, e.g., indexes
- Set `random_page_cost = 1.1`
- Set `effective_io_concurrency` to 256 for SATA, 1,000 for NVMe
- Early SSD reliability report: <http://blog.2ndquadrant.com/en/2011/04/intel-ssd-now-off-the-sherr-sh.html>

Filesystem Options

- xfs or ext4 over ext3
- Reduce file system logging, particularly for pg_wal/ directory
- Disable access (atime) recording

Shared Storage

- SAN and NAS replace direct-attached storage (DAS) with shared storage
- Often used for easier storage management
- Shared I/O resource
- Databases often wait for I/O completion, meaning they have to contend with shared resource contention
- SAN serves block devices, NAS serves file systems

RAM

- The more RAM, the better; this reduces I/O requirements
- Ideally, five minutes of your working set
- The more RAM, the more possibility of RAM failure
- Use ECC (Error Correction Codes) RAM
 - detect errors
 - correct errors
 - report faulty memory
 - cosmic radiation

CPUs

- Parallel query allows a single session to use multiple CPUs
- Heavy use of server-side functions might generate significant CPU load
- CPUs can become a bottleneck if the entire database fits in RAM and the workload is read-only

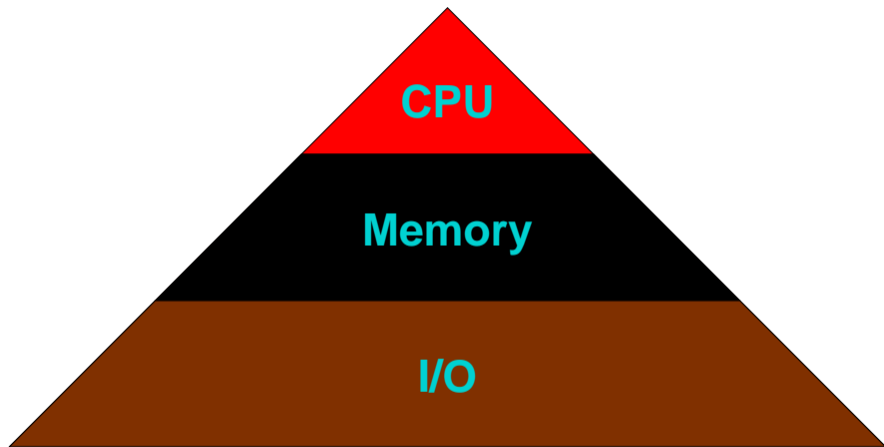
Not the Same



Just because something has the same interface doesn't mean has the same capabilities.
Compatible computer hardware is not all the same.

<https://www.flickr.com/photos/cdevers/>

Conclusion



<https://momjian.us/presentations>